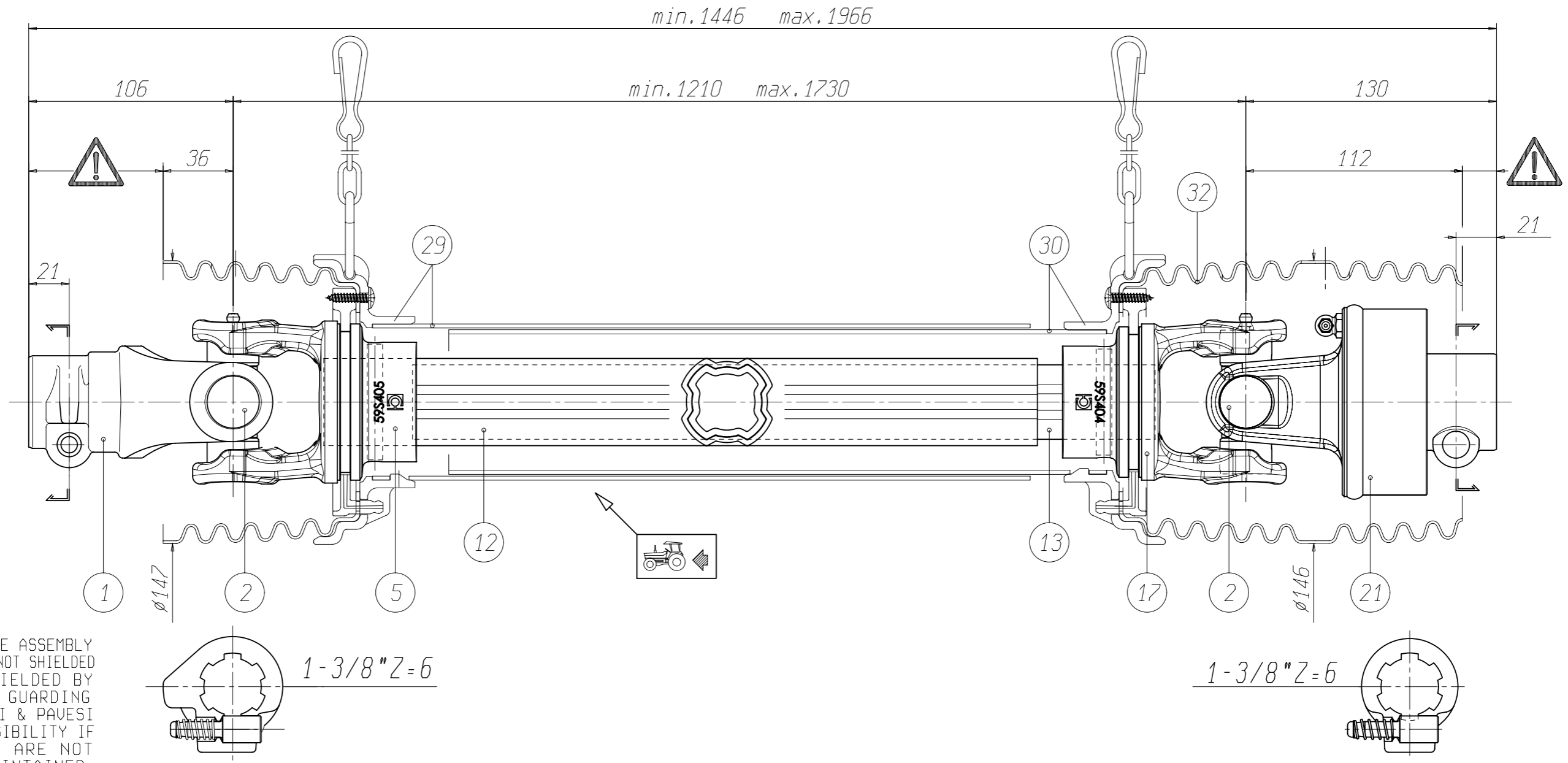





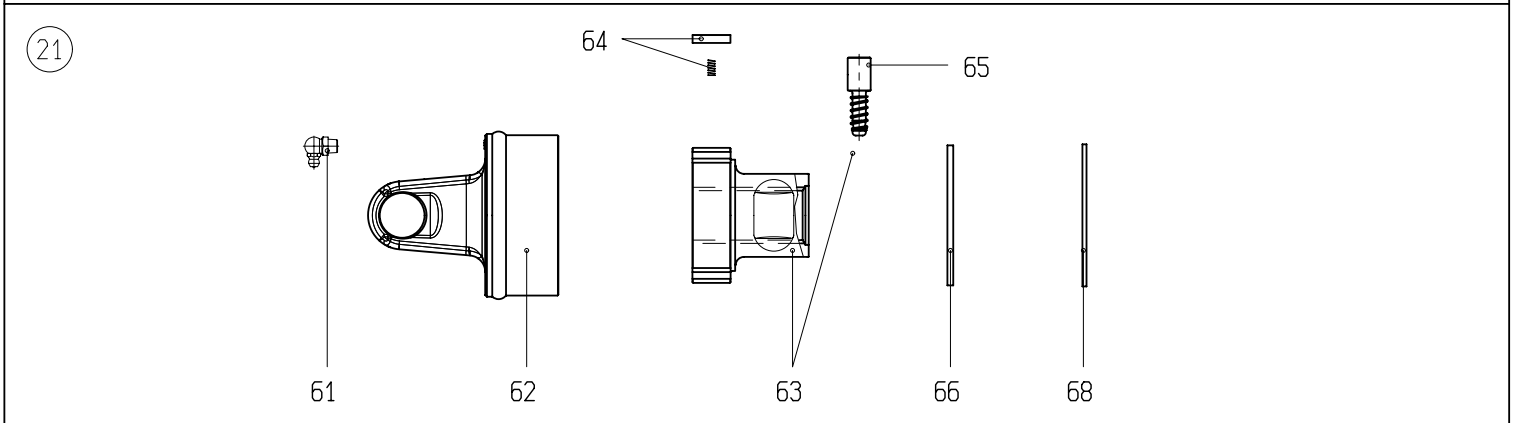
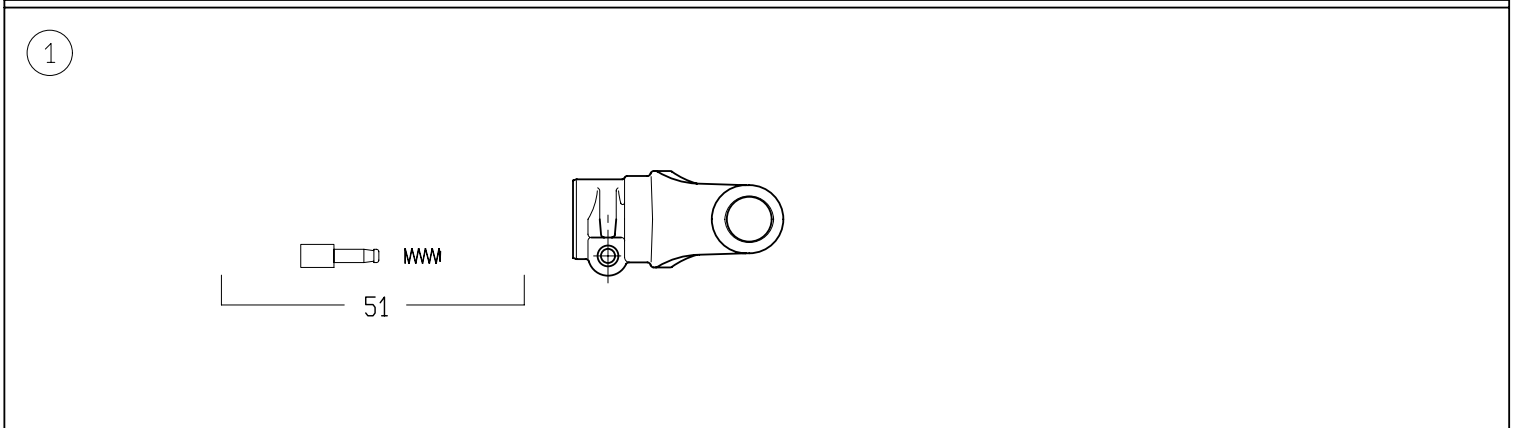
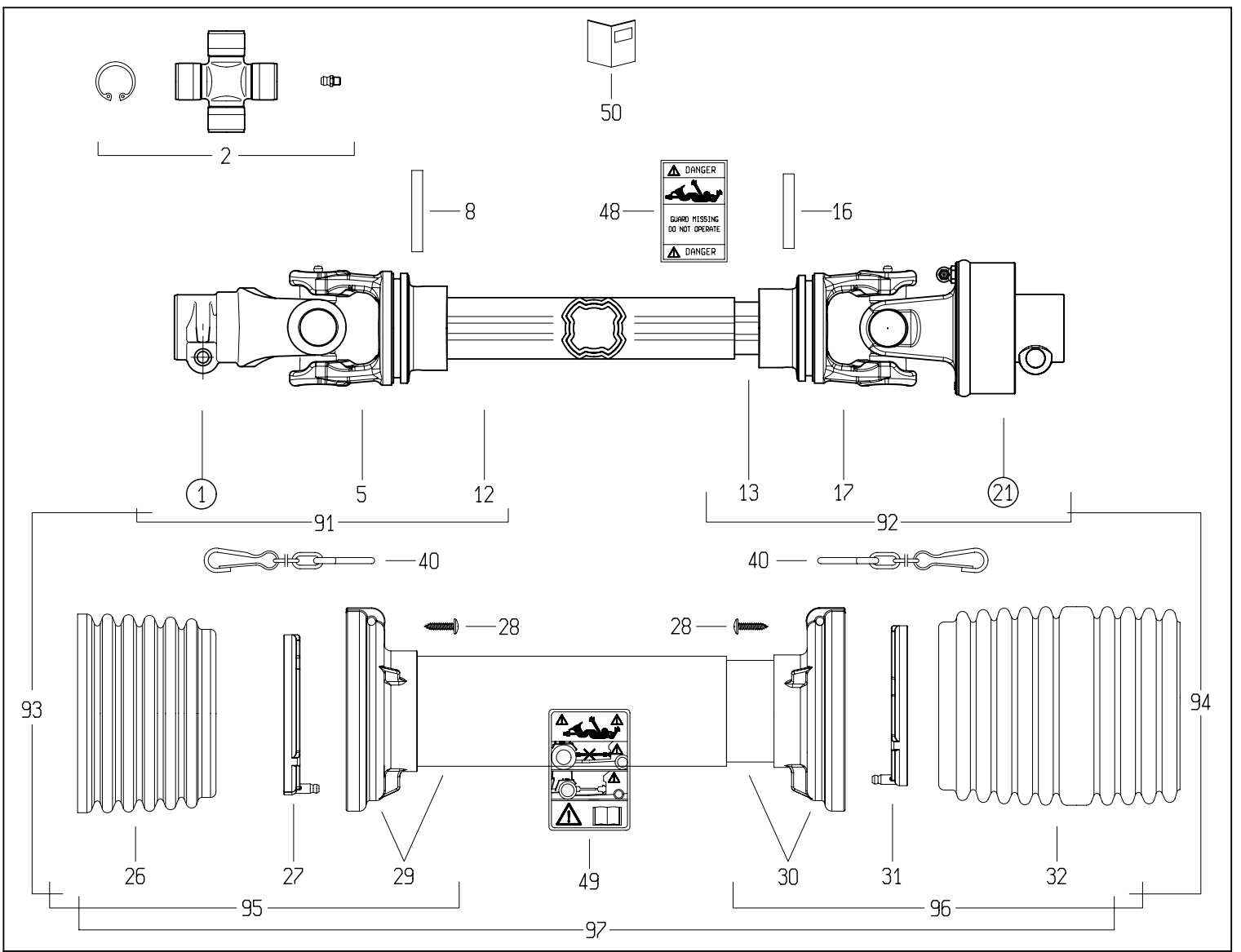
○ DS4N121FX000002



**WARNING!**

SECTIONS  OF THE ASSEMBLY MARKED  ARE NOT SHIELDED AND MUST BE SHIELDED BY AN INTERACTIVE GUARDING SYSTEM. BONDIOLI & PAVESI DECLINES RESPONSIBILITY IF PROPER GUARDS ARE NOT PROVIDED OR MAINTAINED.

32	2191E0032								
30	5MN1S4121F	L = 1041 (TUBO)	TIPO-TYPE TYP <b>SFT</b>	CLIENTE CLIENT CUSTOMER KUNDE  3600522	SAMSON AGRO A/S	RIF. CLIENTE REF. CLIENT CUSTOMER REF. BEZUG KUNDE  935000257			
29	5TN1S4121F	L = 1041 (TUBO)							
21	601104701R	RA1 DX	S4	TIPO DI MACCHINA TYPE DE MACHINE TYPE OF IMPLEMENT MASCHINENTYPE	GIRI : n = 540	DATA	DISEGNATO		
17	204S46853					22/05/04	M. Braga		
13	2253G1085	L = 1085			ORIGINE	SOSTITUISCE DS4N121FX000001			
12	2253H1070	L = 1070			NOTE :				
5	204S46854				Accop. MINIMO telescop. 519				
2	4120E0012				Accop. MINIMO protezione 496 Speciale per: POS.1 E 32				
1	507040351					COD. C.E.D. DS4N121FX000002			
Pos.	Cod. C.E.D.	Descrizione	MODIFICHE - MODIFICATIONS - ANDERUNGEN - MODIFICACIONES						



DISEGNATO / DESIGNED BY L.Bonini	DATA / DATE 8/11/2004	CODICE / CODE DS4N121FX000002	REV.
-------------------------------------	--------------------------	----------------------------------	------

```

935000257_DS4N121FX000002.txt
0001;507040351 ; 1;YOKE £4 QD 1-3/8"Z6 (007)
0002;4120E0012R25 ; 2;-
0005;204S46854 ; 1;YOKE
0008;341038000R10 ; 1;FLEXIBLE ROLL PIN £3/4 OUTER 8X60MM
0012;2253H1070 ; 1;-
0013;2253G1085 ; 1;-
0016;341048000R10 ; 1;FLEXIBLE ROLL PIN £3/4 1.-2 0. 8X55MM
0017;204S46853 ; 1;YOKE
0021;601104701R ; 1;CLUTCH RA1 /4 1-3/8" Z6 NEW STYLE
0026;2190E0201 ; 1;FLEXIBLE CONE
0027;2550C0001R02 ; 1;RING NUT
0028;310001431R30 ; 6;SCREW
0029;5TN1S4121F ; 1;-
0030;5MN1S4121F ; 1;-
0031;2550C0002R02 ; 1;RING
0032;2191E0032 ; 1;BELT
0040;252000020R02 ; 2;CHAIN
0048;399143000 ; 1;DANGER LABEL -OUTER DRIVE TUBE
0049;399CEE051 ; 1;LABEL CE DANGER DECAL OUTER SHIELD
0050;399USA053 ; 1;OP MANUAL US-CANADA SFT
0051;403000001R10 ; 1;COMPLETE PUSH PIN 1-3/8"Z6/Z21
0061;348014000R20 ; 1;GREASE NIPPLE
0062;418041203 ; 1;YOKE
0063;5130C0301 ; 1;HUB
0064;4210C0001R03 ; 1;PAWL
0065;403000001R10 ; 1;COMPLETE PUSH PIN 1-3/8"Z6/Z21
0066;246000132 ; 1;CLOSING DISK FOR RA
0068;338005000R20 ; 1;SNAP RING I.82X2.5 DIN472/1
0091;DS4N12100E001 ; 1;-
0092;CS4N12100096ISS ; 1;-
0093;DS4N121FXE001 ; 1;-
0094;DS4N121FXI001 ; 1;-
0095;5ES4121FXSS ; 1;-
0096;4IS4121FXSS001 ; 1;-
0097;4CS4121FXSS001 ; 1;-

```